

- NOTE:
1. BREAKSHAPES TO BE PROVIDED IN TEN FOOT LENGTHS
 2. I.D. & O.D. STANDS FOR INSIDE & OUTSIDE

MARK	QTY	A. DIM.	B. DIM.	I.D. OR O.D. DIM. ?	I.D. OR O.D. FINISH ?

ANGLE

CROWN
SHEET METAL &
SKYLIGHTS, INC.

License No. 452887
 855 Stanton Rd, Ste 100
 Burlingame, CA 94010
 steve@crownsheetmetal.com
 T: (650) 490-9140
 F: (650) 490-9149

REVISIONS:

SHEET TITLE

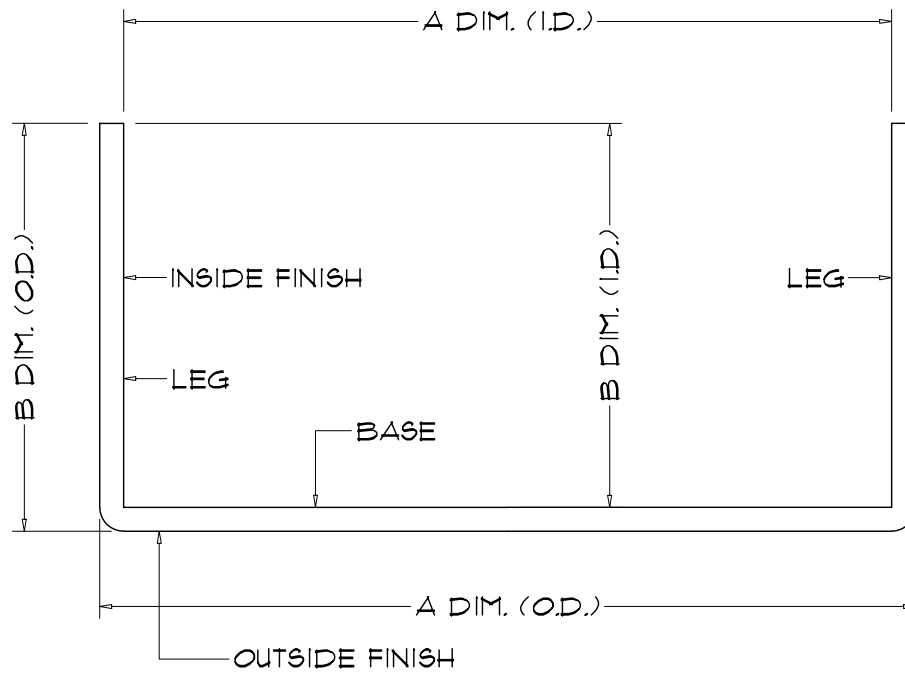
DATE: _____

PROJECT NUMBER: _____

SCALE UON: (NTS) _____

DRAWN BY: **SRL**

SHEET NUMBER



NOTE:

1. BREAKSHAPES TO BE PROVIDED IN TEN FOOT LENGTHS
2. I.D. & O.D. STANDS FOR INSIDE & OUTSIDE
3. THE LEGS OF A U FLASHING CANNOT EXCEED THE LENGTH OF ITS BASE.

MARK	QTY	A. DIM.	B. DIM.	I.D. OR O.D. DIM. ?	I.D. OR O.D. FINISH ?

**U
FLASHING**

CROWN
**SHEET METAL &
 SKYLIGHTS, INC.**
 License No. 452887
 855 Stanton Rd, Ste 100
 Burlingame, CA 94010
 steve@crownsheetmetal.com
 T: (650) 490-9140
 F: (650) 490-9149

REVISIONS:

SHEET TITLE

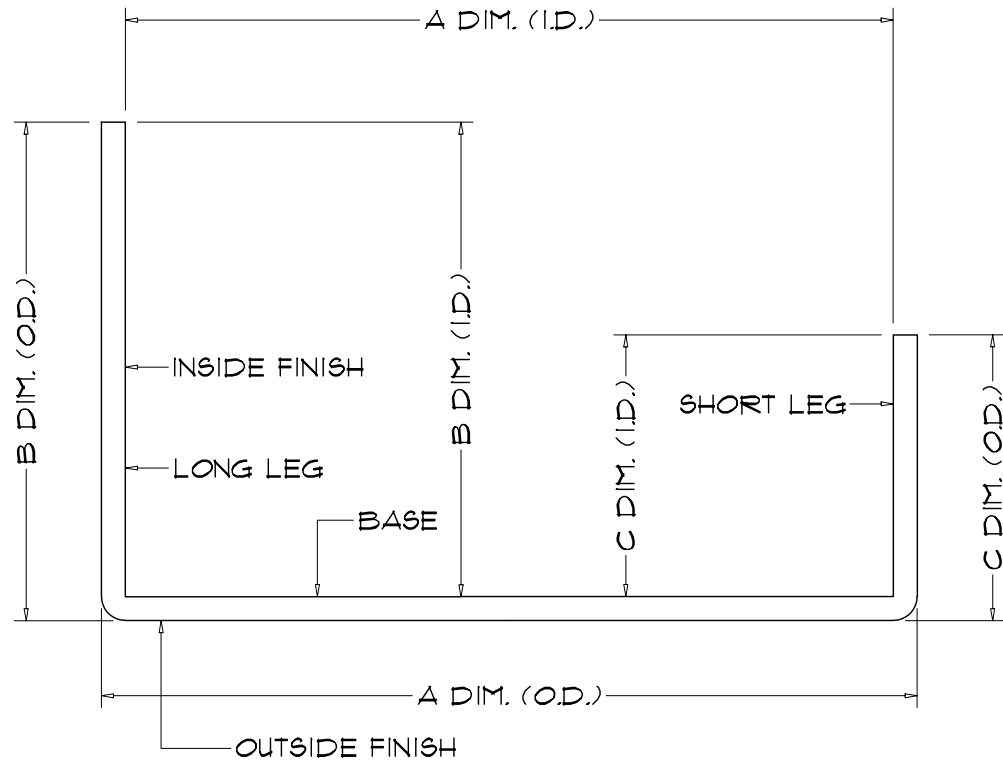
DATE: _____

PROJECT NUMBER: _____

SCALE UON: (NTS)

DRAWN BY: SRL

SHEET NUMBER



NOTE:

1. BREAKSHAPES TO BE PROVIDED IN TEN FOOT LENGTHS
2. I.D. & O.D. STANDS FOR INSIDE & OUTSIDE
3. THE SHORTEST LEG OF A 'J' FLASHING CANNOT EXCEED THE LENGTH OF ITS BASE.

MARK	QTY	A. DIM.	B. DIM.	C. DIM.	I.D. OR O.D. DIM. ?	I.D. OR O.D. FINISH ?

J
FLASHING

CROWN
SHEET METAL &
SKYLIGHTS, INC.

License No. 452887
855 Stanton Rd, Ste 100
Burlingame, CA 94010
steve@crownsheetmetal.com
T: (650) 490-9140
F: (650) 490-9149

REVISIONS:

SHEET TITLE

DATE: _____

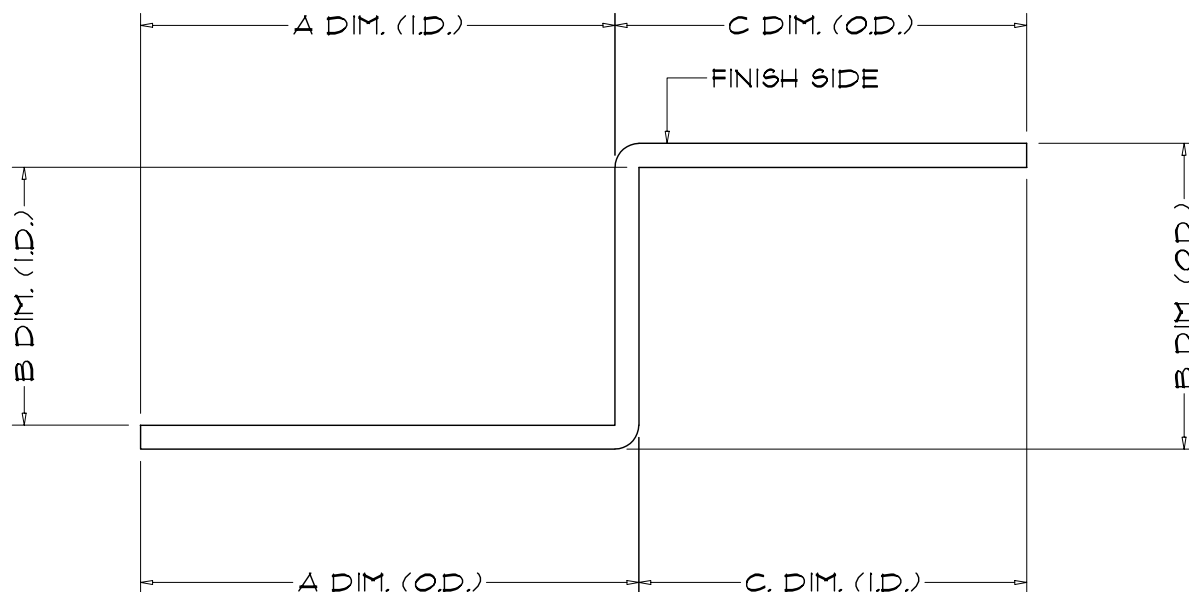
PROJECT NUMBER: _____

SCALE UON: (NTS)

DRAWN BY: SRL

SHEET NUMBER

Z
FLASHING



- NOTE:
 1. BREAKSHAPES TO BE PROVIDED IN TEN FOOT LENGTHS
 2. I.D. & O.D. STANDS FOR INSIDE & OUTSIDE

MARK	QTY	A. DIM.	B. DIM.	C. DIM.	I.D. OR O.D. DIM. ?

CROWN
 SHEET METAL &
 SKYLIGHTS, INC.
 License No. 452887
 855 Stanton Rd, Ste 100
 Burlingame, CA 94010
 steve@crownsheetmetal.com
 T: (650) 490-9140
 F: (650) 490-9149

REVISIONS:

SHEET TITLE

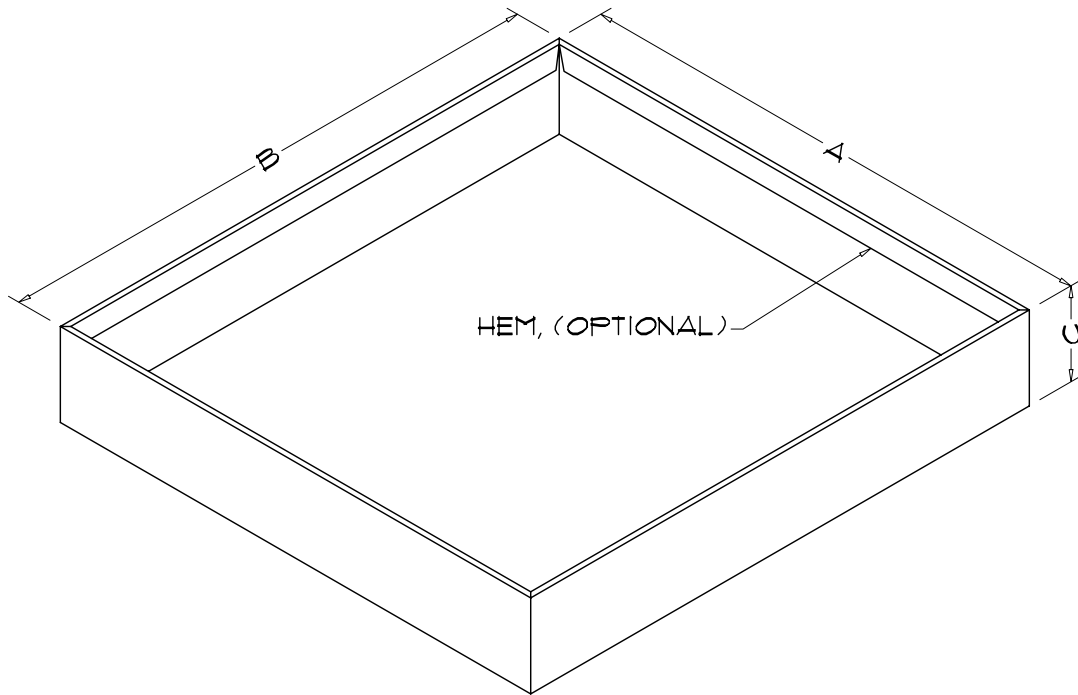
DATE: _____

PROJECT NUMBER: _____

SCALE UON: (NTS) _____

DRAWN BY: SRL

SHEET NUMBER



MARK	QTY	A. DIM.	B. DIM.	C. DIM.	HEM ?

PAN

CROWN
SHEET METAL &
SKYLIGHTS, INC.
 License No. 452887
 855 Stanton Rd, Ste 100
 Burlingame, CA 94010
 steve@crownsheetmetal.com
 T: (650) 490-9140
 F: (650) 490-9149

REVISIONS:

SHEET TITLE

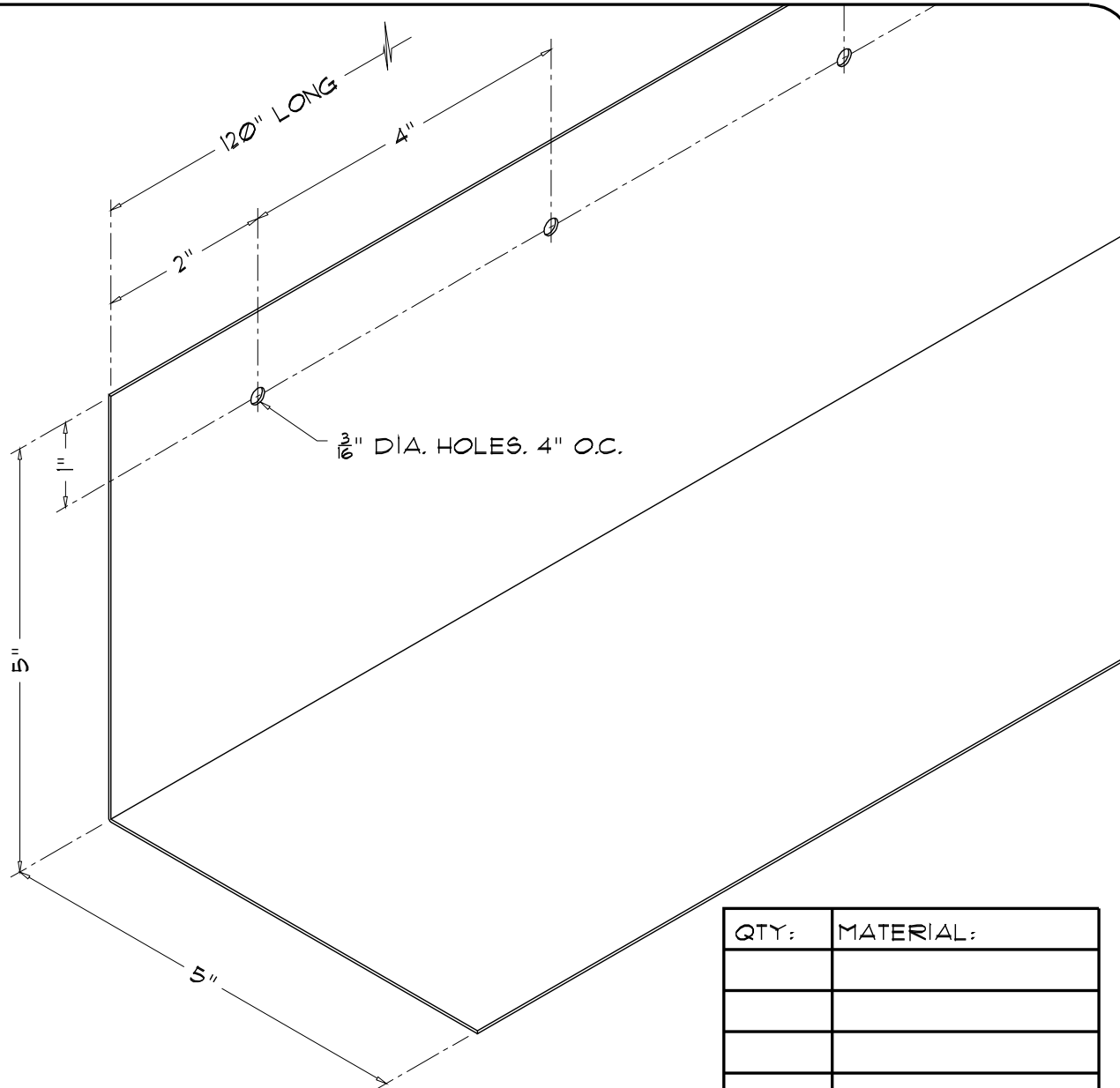
DATE: _____

PROJECT NUMBER: _____

SCALE UON: (NTS)

DRAWN BY: SRL

SHEET NUMBER



QTY:	MATERIAL:

DECK FLASHING

CROWN
SHEET METAL &
SKYLIGHTS, INC.
 License No. 452887
 855 Stanton Rd, Ste 100
 Burlingame, CA 94010
 steve@crownsheetmetal.com
 T: (650) 490-9140
 F: (650) 490-9149

REVISIONS:

SHEET TITLE

DATE:

PROJECT NUMBER:

SCALE UON: (NTS)

DRAWN BY: SRL

SHEET NUMBER