

SADDLE KITS

CROWN
SHEET METAL &
SKYLIGHTS, INC.
 License No. 452887

855 Stanton Rd, Ste 100
 Burlingame, CA 94010
 steve@crownsheetmetal.com
 T: (650) 490-9140
 F: (650) 490-9149

REVISIONS:

SHEET TITLE

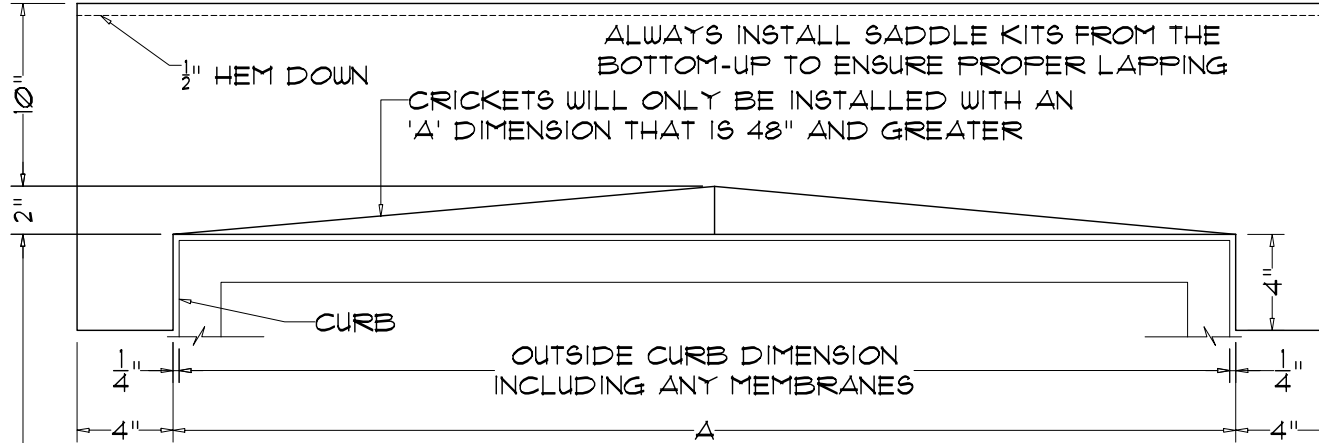
DATE: _____

PROJECT NUMBER: _____

SCALE UON: (NTS)

DRAWN BY: SRL

SHEET NUMBER



ALWAYS INSTALL SADDLE KITS FROM THE BOTTOM-UP TO ENSURE PROPER LAPPING

CRICKETS WILL ONLY BE INSTALLED WITH AN 'A' DIMENSION THAT IS 48" AND GREATER

CURB

OUTSIDE CURB DIMENSION INCLUDING ANY MEMBRANES

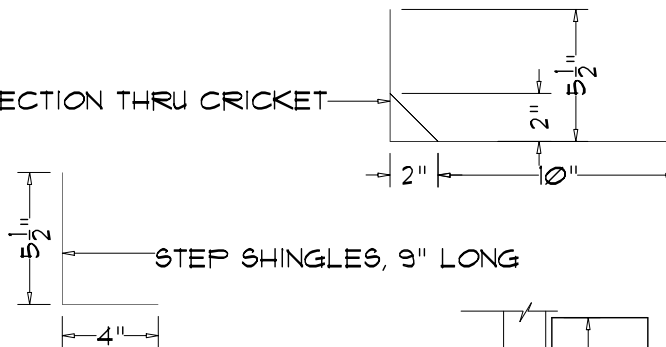
A

NOTE:

'A' AND 'B' DIMENSIONS ARE ALWAYS $\frac{1}{2}$ " BIGGER THAN YOUR OUTSIDE CURB DIMENSIONS AND THE OUTSIDE CURB DIMENSIONS INCLUDE ANY AND ALL WATERPROOFING MEMBRANES.

MARK	QTY	A. DIM.	B. DIM.

SECTION THRU CRICKET



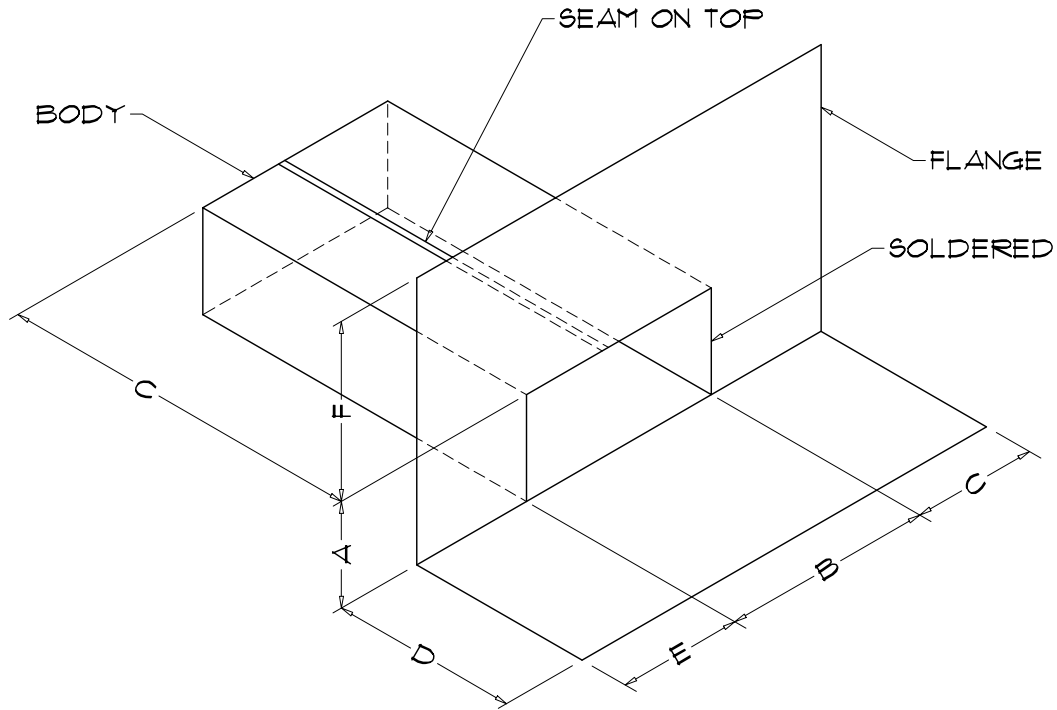
STEP SHINGLES, 9" LONG

CURB

$\frac{1}{2}$ " HEM DOWN

B

10"



FLANGE MATERIAL?	BASE MATERIAL?

MARK	QTY	A. DIM.	B. DIM.	C. DIM.	D. DIM.	E. DIM.	F. DIM.

SCUPPER

CROWN
SHEET METAL & SKYLIGHTS, INC.
 License No. 452887
 855 Stanton Rd, Ste 100
 Burlingame, CA 94010
 steve@crownsheetmetal.com
 T: (650) 490-9140
 F: (650) 490-9149

REVISIONS:

SHEET TITLE

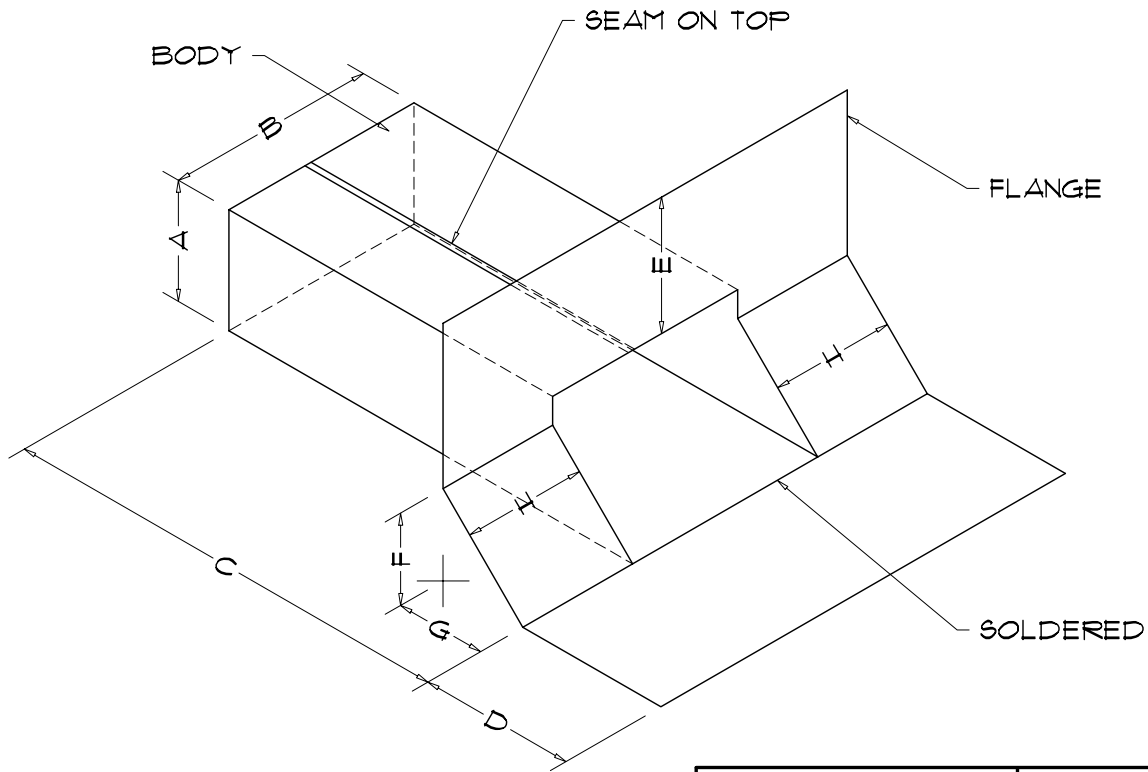
DATE: _____

PROJECT NUMBER: _____

SCALE UON: (NTS)

DRAWN BY: SRL

SHEET NUMBER



FLANGE MATERIAL?	BASE MATERIAL?

MARK	QTY	A. DIM.	B. DIM.	C. DIM.	D. DIM	E. DIM	F. DIM	G. DIM	H. DIM

SCUPPER

CROWN
 SHEET METAL &
 SKYLIGHTS, INC.
 License No. 452887
 855 Stanton Rd, Ste 100
 Burlingame, CA 94010
 steve@crownsheetmetal.com
 T: (650) 490-9140
 F: (650) 490-9149

REVISIONS:

SHEET TITLE

DATE: _____

PROJECT NUMBER: _____

SCALE UON: (NTS)

DRAWN BY: SRL

SHEET NUMBER

