

MARK	QTY	A. DIM.	B. DIM.	C. DIM.	D. DIM	E. DIM	HEM ?

WINDOW PAN

CROWN
**SHEET METAL &
 SKYLIGHTS, INC.**
 License No. 452887
 855 Stanton Rd, Ste 100
 Burlingame, CA 94010
 steve@crownsheetmetal.com
 T: (650) 490-9140
 F: (650) 490-9149

REVISIONS:

SHEET TITLE

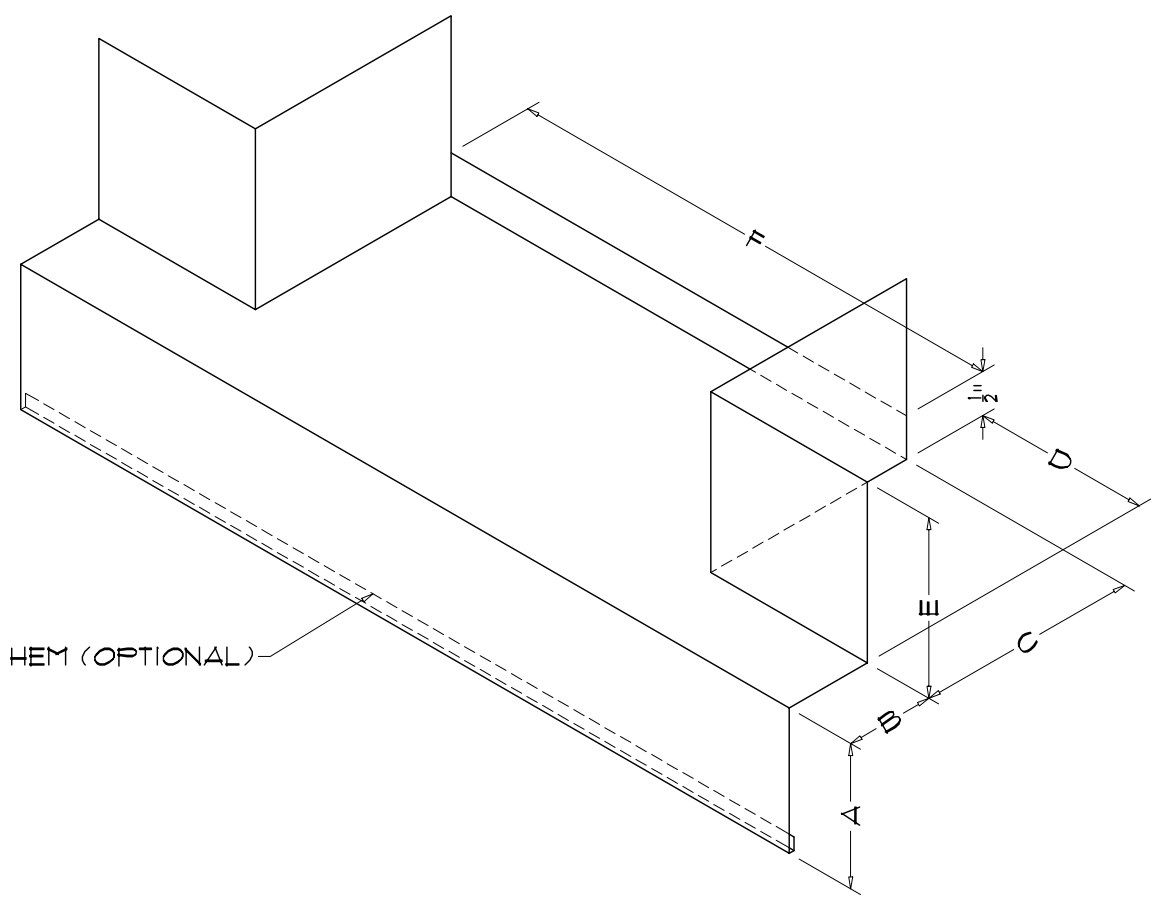
DATE: _____

PROJECT NUMBER: _____

SCALE UON: (NTS)

DRAWN BY: SRL

SHEET NUMBER



MARK	QTY	A. DIM.	B. DIM.	C. DIM.	D. DIM	E. DIM	F. DIM	HEM ?

WINDOW PAN

CROWN
**SHEET METAL &
 SKYLIGHTS, INC.**
 License No. 452887
 855 Stanton Rd, Ste 100
 Burlingame, CA 94010
 steve@crownsheetmetal.com
 T: (650) 490-9140
 F: (650) 490-9149

REVISIONS:

SHEET TITLE

DATE: _____

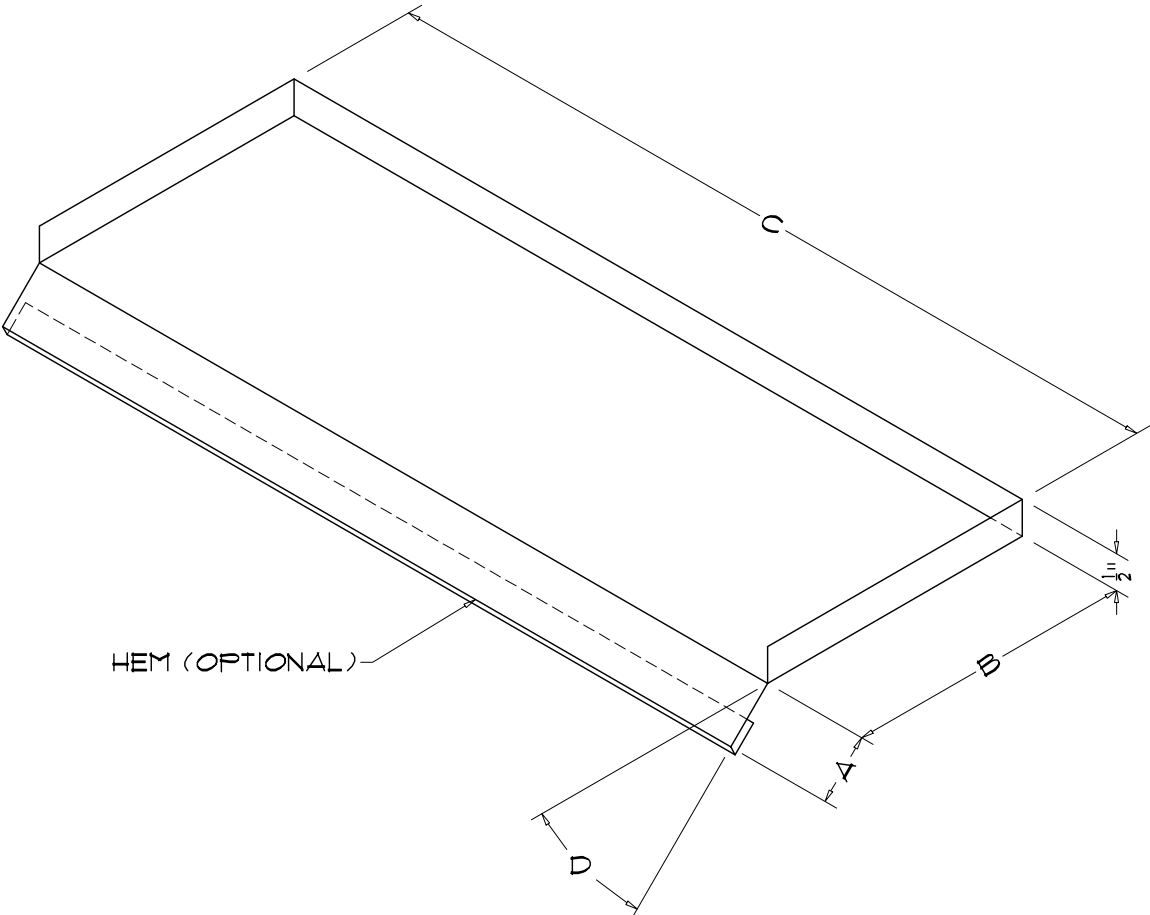
PROJECT NUMBER: _____

SCALE UON: (NTS)

DRAWN BY: SP

SHEET NUMBER

WINDOW PAN



HEM (OPTIONAL)

MARK	QTY	A. DIM.	B. DIM.	C. DIM.	D. ANGLE	HEM ?

CROWN
SHEET METAL &
SKYLIGHTS, INC.
 License No. 452887
 855 Stanton Rd, Ste 100
 Burlingame, CA 94010
 steve@crownsheetmetal.com
 T: (650) 490-9140
 F: (650) 490-9149

REVISIONS:

SHEET TITLE

DATE: _____

PROJECT NUMBER: _____

SCALE UON: (NTS) _____

DRAWN BY: SRL

SHEET NUMBER

